



ZUMALIGHTING
QUALITY OUTDOOR SOLUTIONS



MODEL
ST PETERSBURG

TYPE
LED

SERIES
BOLLARDS

ZUMA LIGHTING LLC
325 N LARCHMONT BLVD STE 406, LOS ANGELES, CA 90004
INFO@ZUMALIGHTING.COM • (310) 975-3126 • ZUMALIGHTING.COM

ORDERING INFORMATION

Model ST PETERSBURG

Type LED

Series BOLLARDS



FIXTURE	HEIGHT	SOURCE	VOLTS	CCT	Optics	COLOR	OPTIONS
STP-B = Saint Petersburg Bollard	40 = 40" CH = Custom Height	7W = 1080 lm 15W = 2080 lm 30W = 4100 lm 45W = 6200 lm	U = 120v- 277v 8 = 480v	27K = 2700K 3K = 3000K 4K = 4000K 5K = 5000K	T3 = 180° T5 = 360°	DB = Dark Bronze BK = Black WH = White SL = Silver CC = Custom	D = Dimming SP = Surge Protection

SPECIFICATIONS

Housing

The fixture housing is fabricated from a combination of extruded, cast and formed aluminum alloys.

LED

High performance LEDs utilize state-of-the-art technologies for improved thermal performance. Efficacy ranging from 120 – 150 lm/W. Available in Types III & V with wide choice of color temperatures ranging from CCT(2700K – 5000K). These LEDs are designed to fit LEDIL lenses with IP67 rating.

Mounting

Heavy duty aluminum base plate secures to the housing and is concealed with 2-piece architectural base cover.

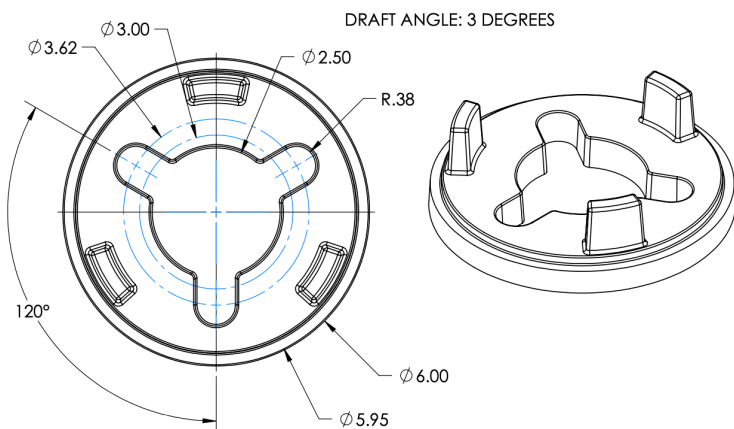
Mounting kit with (3) anchor bolts, included.

Finish

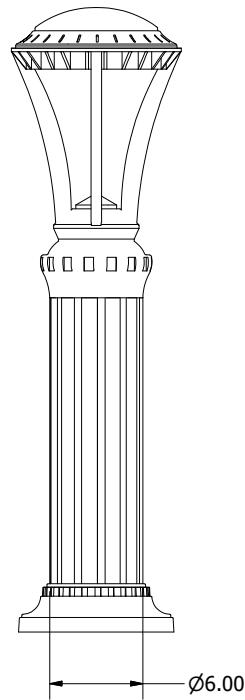
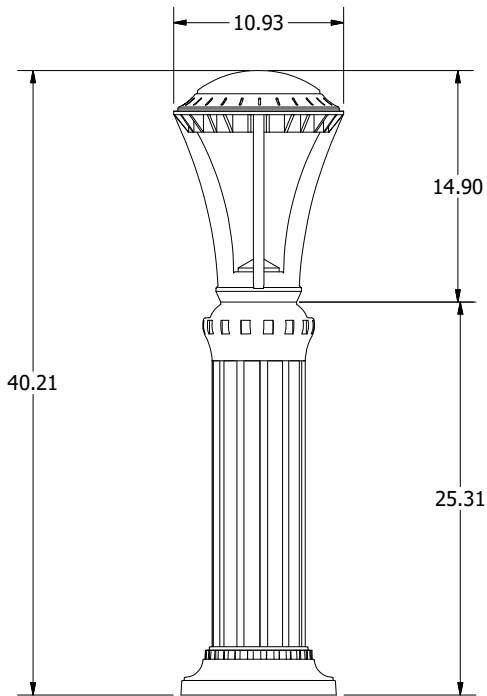
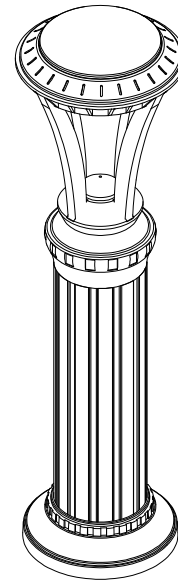
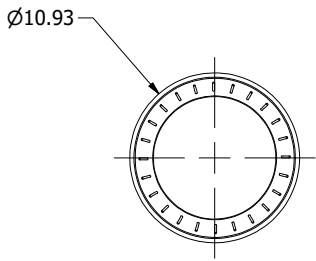
Thermoset polyester oven-baked powder coat, in any standard color. Custom colors are available to your specification.

Warranty

5-year warranty



4 3 2 1




B

B

A

A

Approvals	DATE	These specifications and drawings are the property of Zuma Lighting and shall not be copied, reproduced as the basis for manufacture or sale of apparatus without permission.	 ZUMALIGHTING QUALITY OUTDOOR SOLUTIONS
Prepared:			
Checked by:			
MFG			
APPROVED		TITLE	
Unless specified dimensions are in inches and Tolerances are: .XX= .03 .XXX= .010 Angles= 1/2'		TP	
SIZE	DWG NO	REV	
B	ST. Petersburg-Bollard	A	
SCALE	MAT'L	SHEET 1 OF 1	

4 3 2 1