



ZUMALIGHTING
QUALITY OUTDOOR SOLUTIONS



MODEL
CITY CENTER

TYPE
LED








SERIES
ARCHITECTURAL

ZUMA LIGHTING LLC
325 N LARCHMONT BLVD STE 406, LOS ANGELES, CA 90004
INFO@ZUMALIGHTING.COM • (310) 975-3126 • ZUMALIGHTING.COM

SPECIFICATIONS

Model CITY CENTER
Type LED
Series ARCHITECTURAL



FIXTURE	WATTAGE	VOLTS	COLOR TEMP	OPTICS	MOUNT	COLOR	OPTIONS
(see pg. 4)	10W	U = 120v-	22K = 2200K	T2	A = 	DB =	M = Motion
CC1F	20W	277v	28K = 2800K	T3	B = 	Dark	Sensor
CC2F	30W	8 = 480v	38K = 3800K	T4	C = 	BK = Black	PC = Photocell
CC3F	40W				D = 	GR = Gray	D = Dimming
CCPC	50W	55K = 5500K		T5	E = 	LG = Light	S = Surge
CCLD	60W				F = 	Gray	Protection
CCXH	80W				G =  (wall mount)	CC =	HS = House
					I = post top / spider mount	Custom	Side shield
							Z = Zigbee
							DA = DALI
							SC = Smart Control System
							PIR = PIR System

Features

Zuma Lighting's City Center LED series is designed to improve the ability to quickly and safely navigate an outdoor space. City Center luminaires feature an integrated urban styling lighting toolbox designed for a variety of urban applications. Additionally, these fixtures result in lower energy consumption by up to 60%, with a corresponding reduction in Co2 emissions.

Construction & Housing

- Housing is cast from corrosion resistant aluminum, maintaining strength and precision to sustain long-term day form appearance.
- Aluminum die-casting is designed as one-piece with internal cooling fans.
- Stable mechanical system prevents damage from installation generated vibration.
- Molded silicone gasket throughout provides ingress protection and ensures weathertight sealing.
- Housing designed to prevent buildup of moisture, dust, bird droppings etc...
- Internal hidden rotating axis structure design allows for opening the fixture without compromising the exterior design.

Finish

- Premium AKZO powder coating withstands extended outdoor exposure, ultraviolet degradation, abrasion, and provides corrosion resistance.
- Special *SEASIDE* application finishing with 10 year guarantee is provided at MOQ 200pcs.
- Finish is compliant with 1500hrs salt spray, 3000hrs salt spray is provided at MOQ 500pcs.
- Standard color includes Dark Bronze (RAL8019), Standard Gray (RAL7016), Light Gray (RAL9007), and Black (RAL9005).
- Custom colors available upon request.

Optics







- Built-in PC optical lens with exterior tempered glass
- Available in Type II-S, Type III-S, Type IV-S, Type V-S
- Available in custom optics to meet all roads and street lighting requirements, consult factory for more information.

Light Performance

- SDCM < 3
- Anti-glare
- Luminaire output efficacy up to 130 LPW. Minimum CRI 70 offered as standard. 80 CRI offered as custom option.
- CCT 2700-3000K, 3700-4000K, 4700-5000K, 5400-5700K offered as standard. Amber available as custom option.
- EPA: 0.53 (Sq. Ft.)

Mounting Options

- Fast Arm mount to round pole, square pole, and wall mounting (see below).

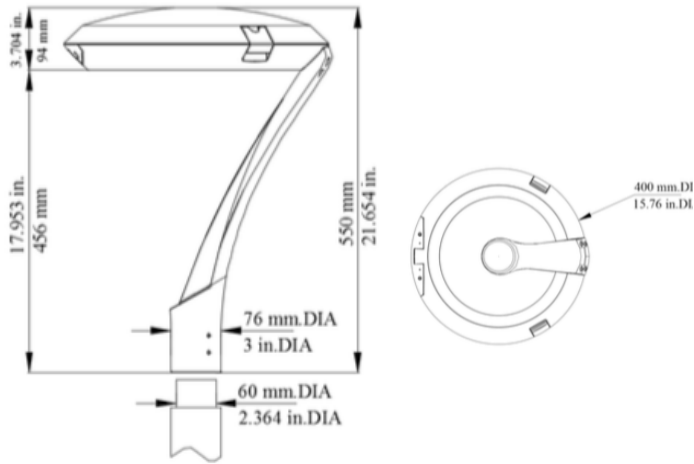
					
Model 3F	Model 2F	Model 1F	Model PC	Model LD	Model XH

Specifications <ul style="list-style-type: none"> ● Materials: △ Aluminum △ Glass △ PC ● Finish: Powder coating △ Bronze △ Grey △ Black ● Input: △ 100-277V △ 220-240V △ 347V △ 480V ● Surge protection: △ 6KV △ 10KV △ 10KA △ 20KA ● Protection: IP66 and △ IK08 △ IK09 △ IK10 ● L80 average lifespan: >60,000 hours ● EMC LVD SAA C-tick RCM IEC ETL TUV Approval ● Complies with the material restrictions of RoHS ● L80 average lifespan: >60,000 hours ● △ 5 △ 7 △ 10 Years limited warranty 	Model	N.W.	Dimension	Pole Dia.	EPA	
		3F	9.5kg	Dia:400*H:589mm	60&76mm'	0.83
		2F	9.2kg	Dia:400*H:524mm	60&2- 3/8''	0.69
		1F	9.1Kg	Dia:400*H:550mm	60&2- 3/8''	0.71
		PC	8.6Kg	Dia:400*H:502mm	60&2- 3/8''	0.76
		LD	8.1kg	L:509*W:400*H:222	60&2- 3/8''	0.51
		XH	8.3kg	L:518*W:400*H:243	76&89&102	0.53

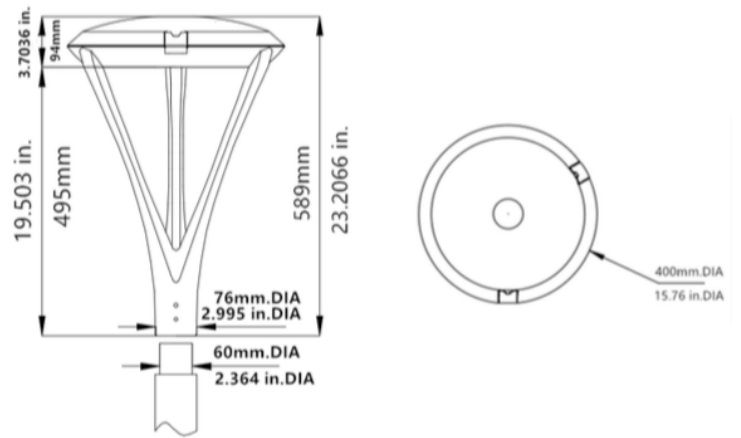
Unit 1 (N.W.): Kg / Unit 2 (Size): mm & inches / Unit 3 (EPA): Sq.Ft.

MODELS / DIMENSIONS

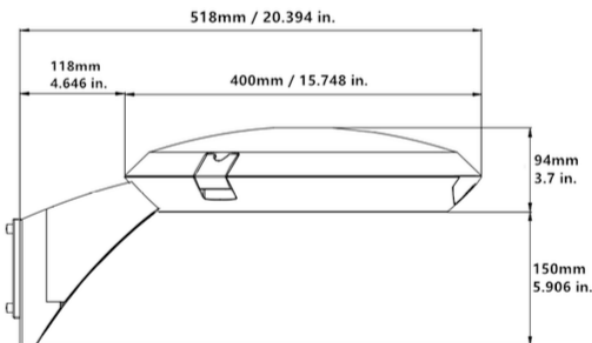
1F



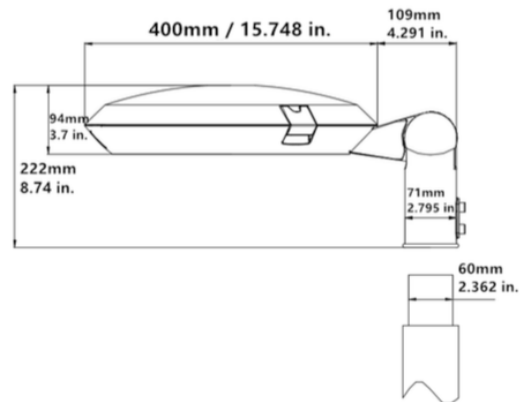
3F



XH



LD



OSRAM OPTOTRONIC Outdoor | 4DIMLT2 LED drivers | Introduction

Long lifetime, low maintenance costs and high efficiency are very important for outdoor and industrial applications. OPTOTRONIC LED drivers for outdoor applications meet these requirements and unlock the full potential of LED-based light sources. Thanks to the high flexibility of the programmable OPTOTRONIC 4DIMLT2 LED drivers, LED luminaire systems can be optimally adapted to the required conditions and their cost can be optimized. With the four integrated dimming functions (4DIM), significant energy savings and a reduction of greenhouse gas emissions can be achieved.

The standardized DALI interface allows for the simple integration into telemanagement systems (for example with the OSRAM Street Light Control system) and also a harmonized control of the output light level in contrast to a 0–10 V interface. Due to the large operating window (voltage/current) of these LED drivers, both OSRAM LED

modules for outdoor applications and customer-specific LED modules can be operated. This also means that the overall amount of different LED drivers on stock can be kept low and that the overall complexity of luminaire maintenance over the entire life cycle can be reduced.

With the LEDset2 interface, OSRAM has created a new path towards standardizing the communication between the LED driver and the LED modules. Without reprogramming, LEDset2 ensures optimal efficiency, a high level of reliability and the adaptability of the LED drivers to the latest LED technologies.

Benefits

- 4DIM functionality in one device (StepDIM, AstroDIM, MainsDIM, DALI)
- High surge protection: up to 10 kV (1 pulse) / 8 kV, in protection class I or II
- Low luminous efficacy tolerance through low output current tolerance of $\pm 3\%$
- Great flexibility due to wide operating temperature range of $-40\cdots 55\text{ }^{\circ}\text{C}$ or $60\text{ }^{\circ}\text{C}$
- Protection through double isolation between mains input and LED output

Features

- Flexible current setting with one additional wire (LEDset2)
- AstroDIM for autonomous dimming with five independent levels (astro, time mode)
- Allows for energy saving in twilight phases
- MainsDIM function for dimming via reduction of line voltage amplitude
- Isolated DALI interface for bidirectional telemanagement systems
- Constant Lumen Output (CLO)
- Overtemperature protection via external NTC

DALI

Thanks to their DALI interface, 4DIMLT2 LED drivers can be integrated into telemanagement systems and operated with the OSRAM Street Light Control system. Bidirectional communication and the query of status information from the LED driver are also possible via DALI



StepDIM/StepDIM Inverse

Dimming via an external control phase: Predefined dimming levels can be varied via the Tuner4TRONIC software and the polarity of the phase. The SD/SD2 port also allows control via a mains-powered presence sensor



AstroDIM/presence detection

Automatic dimming via an integrated timer (no real-time clock): Five independent dimming levels and zones can be set with the Tuner4TRONIC software. Brightness variation is possible in combination with an external presence sensor



MainsDIM

Dimming via mains voltage amplitude: This feature is often used in combination with magnetic ballasts in outdoor applications. The dimming behavior can be set via the Tuner4TRONIC software



CLO (constant lumen output)

The decrease in the luminous flux of a LED module can be compensated over its entire lifetime via preprogrammed current curve. This not only ensures stable lighting but also saves energy and increases the lifetime of the LEDs



Fit for SMART GRID

With this feature, the power consumption and operating hours (resettable) of the LED module can be monitored. Additional advantage: "Fit for SMART GRID" can also provide better analysis of the lighting, thus ensuring safe operation of the system



LEDset (Generation 2)

The new generation LEDset2 is an improved LED module interface for the combination of single or multiple LED modules with one LED driver via a single analog control line. This interface enables external current setting and temperature monitoring. The LEDset2 interface has no auxiliary supply and is not compatible with LEDset (Generation 1). LEDset2 has an absolute current coding, while LEDset (Generation 1) only has a relative one



External temperature sensor

This feature allows the temperature protection of the LED module or the complete luminaire in hot ambient temperatures via an external sensor (e.g. NTC, negative temperature coefficient resistor). The derating can be modified via the Tuner4TRONIC software





Integrated overvoltage protection

The 4DIMLT2 drivers have an integrated overvoltage protection of up to 6 kV for differential and 8 kV for common mode overvoltage. They are also capable to withstand one single 10 kV common mode pulse. The protection levels are also applicable for the StepDIM port

Equipment / Accessories

- DALI magic hardware for configuring 4DIM ECGs necessary
- Programmable via Tuner4TRONIC software

[For further details please consult the 4DIMLT2 application guide](#)

Zigbee-based Wireless Control Smart street lighting

A novel scheme for a Zigbee-based street light control is proposed with an aim to reduce the human error in the operation of street lights, decrease the energy consumption of the system, and ease the maintenance of the street light network. These objectives are achieved by creating a wireless Zigbee network of street lights that can be monitored from a base station.

The On-Fixture Module is a Zigbee-based wireless RF device that allows an individual fixture to be managed, monitored and metered. The On-Fixture Module communicates wirelessly over a robust 2.4GHz ISM (Industrial, Scientific and Medical) certified meshed radio signal. It drastically simplifies control and automation of projects, especially in retrofit environments, and challenges the legacy world of wired-systems. Zigbee-based wireless control technology easily adapts to complex automation situations for quick, simple and economical commissioning. The On-Fixture Module is compatible with 7-pin NEMA socket

The On-Fixture controller Module conforms to IEEE802.15.4 protocol of ZIGBEE communication standard. It has the advantages of remote communication, strong anti-interference capability and flexible networking, realizing peer-to-peer and peer-to-multi peer transparent data transmission among devices, and constructing star network or mesh network topology. The interface standard is designed by TE Connectivity of ANSI C136.41-2013. dimmable socket and shrapnel contact are adopted to provide mechanical and electrical interconnection between light control unit and lamps using solid twist lock contacts to achieve reliable power interconnection. It is the ideal choice for outdoor business and public lighting. This On-Fixture Module controller consists of a current and voltage measurement circuit, which collect real-time load performance and power consumption of individual fixture. It helps to largely reduce work load of street lamp management department, and improve working efficiency, therefore significantly improve energy-saving benefit of all society.

Main performance

- Measuring current, voltage, power, Power consumption detection function.
- Switch and 0 ~ 10V dimming signal output
- Monitor the working status of lamps and lanterns, anomalies output alarm
- Individual fixture custom group control
- Local timing, latitude and longitude control function
- Over-current protection, lamps condition detection and default lighting functions
- Overload protection design based on Security
- Radio frequency: global free frequency band of 2.4G ISM
- Number of wireless channel: 16
- Single network capacity: 65535 nodes
- Thorough communication protocol of ZIGBEE wireless networking
- Operating temperature range: - 40C° ~ + 55C°
- Simple and Fast installation