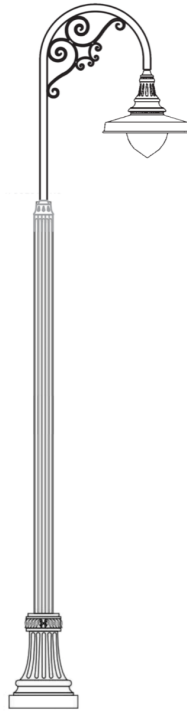




ZUMALIGHTING
QUALITY OUTDOOR SOLUTIONS



MODEL
BARRINGTON

TYPE
LED POST TOP

SERIES
HISTORICAL

ZUMA LIGHTING LLC
325 N LARCHMONT BLVD STE 406, LOS ANGELES, CA 90004
INFO@ZUMALIGHTING.COM • [\(310\) 975-3126](tel:(310)975-3126) • ZUMALIGHTING.COM

ORDERING INFORMATION



| |
|--------------------------|
| Model BARRINGTON |
| Type LED POST TOP |
| Series HISTORICAL |

| FIXTURE | ACORN | WATTAGE | VOLTS | LAMP / TEMP | OPTICS | MOUNT | COLOR | OPTIONS |
|-----------|-------|--|-------------------------------|--|--|---|--|---|
| BAR (LED) | 88241 | 20W 30W 40W 60W 80W 90W 120W | U = 120v-277v 8 = 480v | 3K = 3000K 4K = 4000K 5K = 5000K | T3 = 180° pattern T5 = 360° pattern | A = ● B = ●● C = ●●● D = ●●●● E = ●●●●● F = ●●●●●● G = ● (wall mount) | DB = Dark Bronze BK = Black WH = White SL = Silver CC = Custom | M = Motion Sensor PC = Photocell D = Dimming S = Surge Protection LS = Light shield DA = Decorative Arm* |

| Pole | Pole Height | Diameter | Shaft | COLOR |
|------|--|----------|----------------------|--|
| Pres | 18' Max (specify any height up to 18') | 4" 5" | Fluted Non-Fluted | DB = Dark Bronze BK = Black WH = White SL = Silver CC = Custom |

Fixture

Teardrop style acrylic acorn on a cast aluminum capital, mounted on decorative scrolled arm, as shown. Including 15' x 4" od round fluted aluminum pole with a decorative base, as shown.

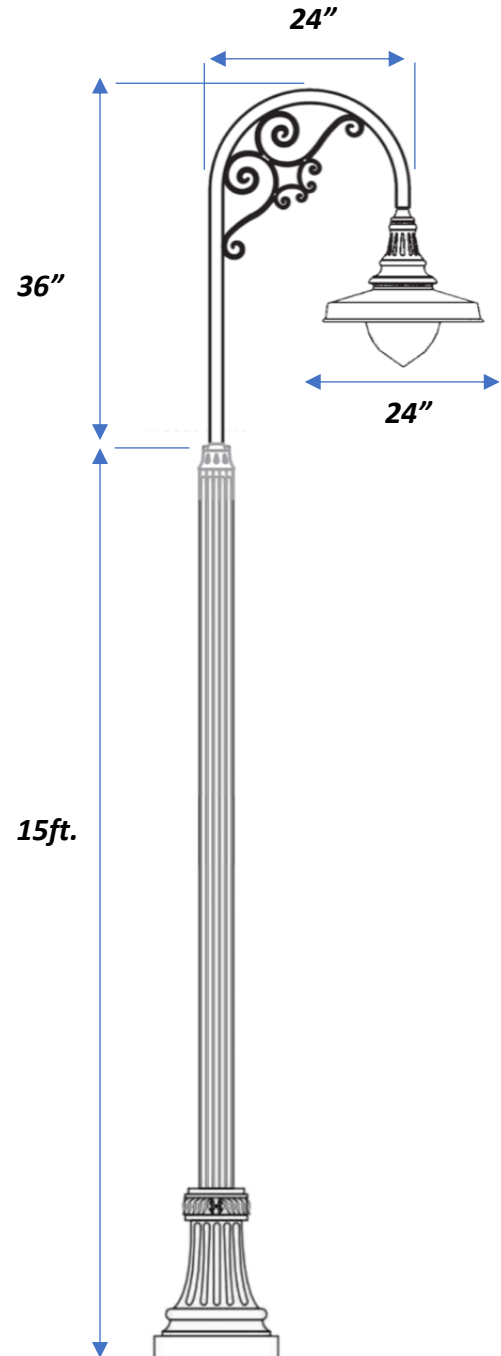
**Arm and base shown is standard for Barrington Unit. Other styles available upon request.*

Electrical Components

LED: EncapLED, an IP66-rated ETL and DLC listed LED module system, combines optics and heat sink into one configurable unit which give precise light distribution. Available in types II, III, IV & V. It allows us to do 10w., 30w. & 40w. increment adjustment on light output. The module achieves 110-120 lm/w efficacy with LUXEON LUMILEDS TX CHIPS. Beside maximizing heat dissipation surface, we also utilize convection-based heat management which creates additional air flow around each chip. Unlike a big metal heat sink where the temperature for the chips in the middle is higher than the rest, the heat of each EncapLED chip gets dissipated evenly. A better heat dissipation design keeps the junction temperature low and ultimately prolongs the life of the LED chips. Our modules are available in any of our fixture designs, as well as in a simple retro-fit kit form for existing fixtures.

Finish

Thermoset polyester oven-baked powder coat, in any standard color. Custom colors are available to your specification.



**Measurements vary w/ accessory type*

POLE SPECIFICATIONS

Pole Construction

Durable corrosion resistant cast aluminum base with hand hole and cover. The pole is available in either 4" dia. or 5" dia. X 3/16" wall thickness. Extruded 6063-T6 aluminum alloy

Pole Height

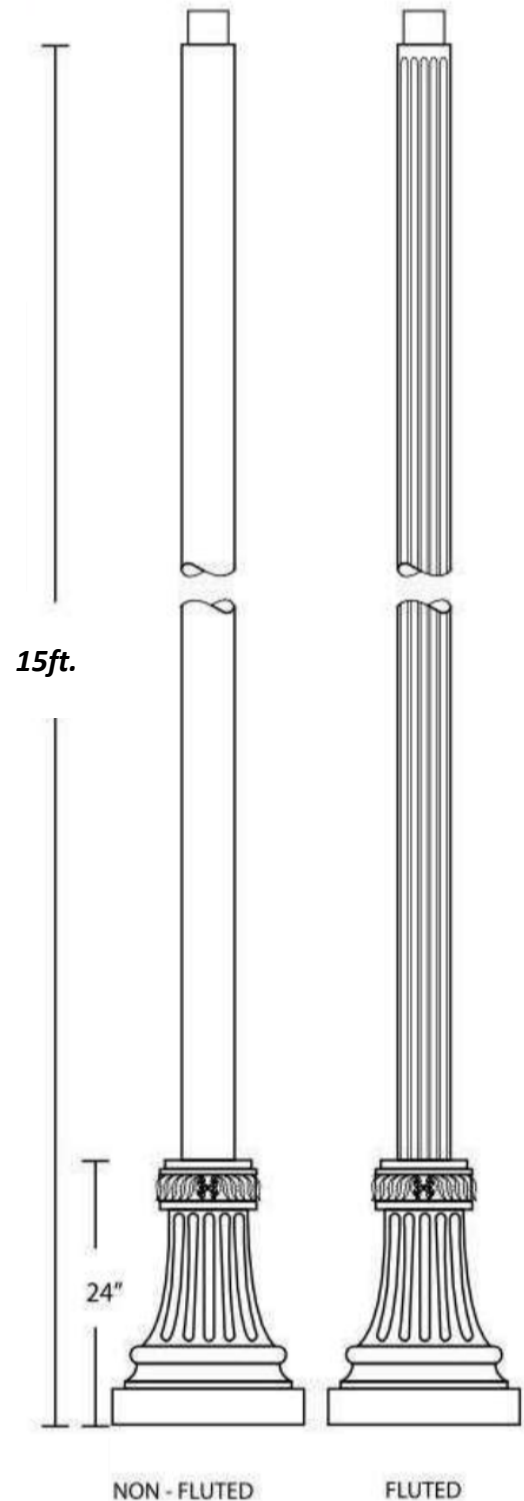
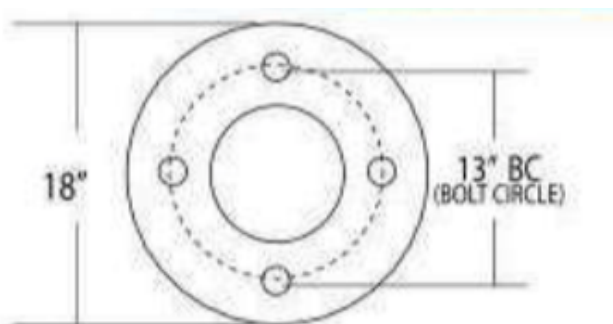
Specify any height up to 18'.

Shaft

Specify fluted or non-fluted.

Anchor Bolts

(4) 3/4" x 16" x 3", fabricated from hot rolled steel, hot dip galvanized



Pole shafts are available in both 4" and 5" OD