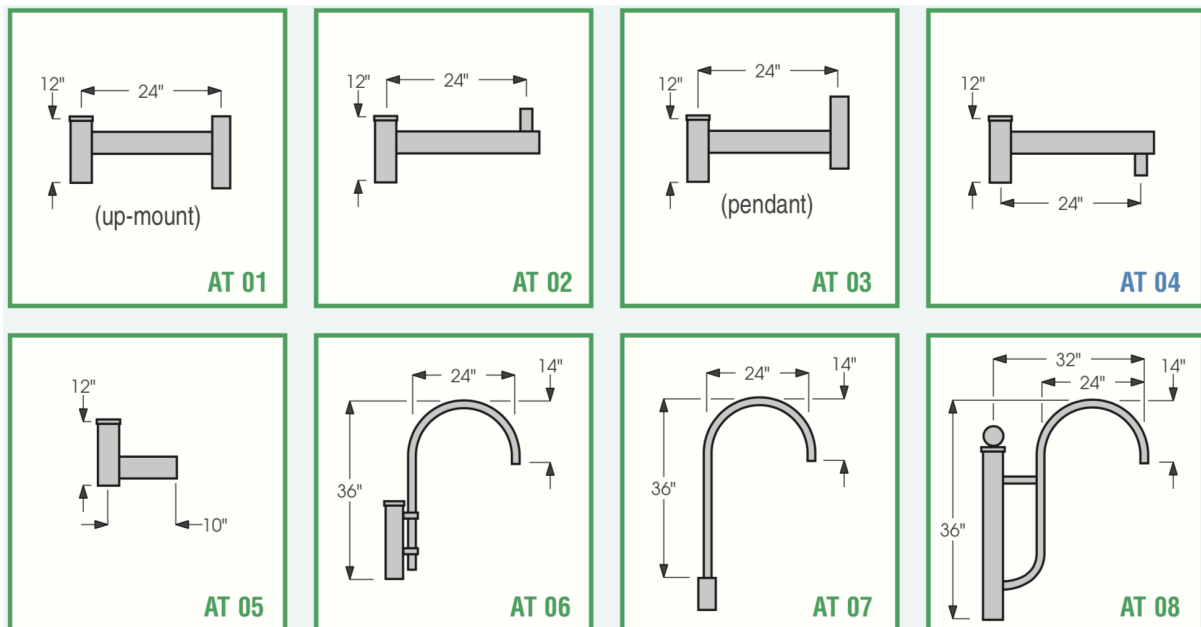


Notes on Poles

- All-aluminum construction. Some elements are cast, some are extruded or formed. Please consult factory for style-specific details
- All external mounting hardware is stainless steel.
- Please specify the shape and the outside dimension of the pole(s) for which you are ordering.
- Arms are illustrated with the standard dimensions. Drawings are not to scale. Custom sizes are available in many cases; please consult factory.

Notes on Caps

- Three cap styles are offered. Any of the three may be specified with most Zuma architectural arms:
 - **FC** = flat cap
 - **DC** = dome cap
 - **SC** = spherical (ball) cap
- Zuma architectural arms AT23, AT27 and AT28 employ a special 'half-acorn' cap
- Please note that architectural arm AT07 has no cap



ZUMA LIGHTING LLC

325 N LARCHMONT BLVD STE 406, LOS ANGELES, CA 90004
INFO@ZUMALIGHTING.COM • (310) 975-3126 • ZUMALIGHTING.COM

